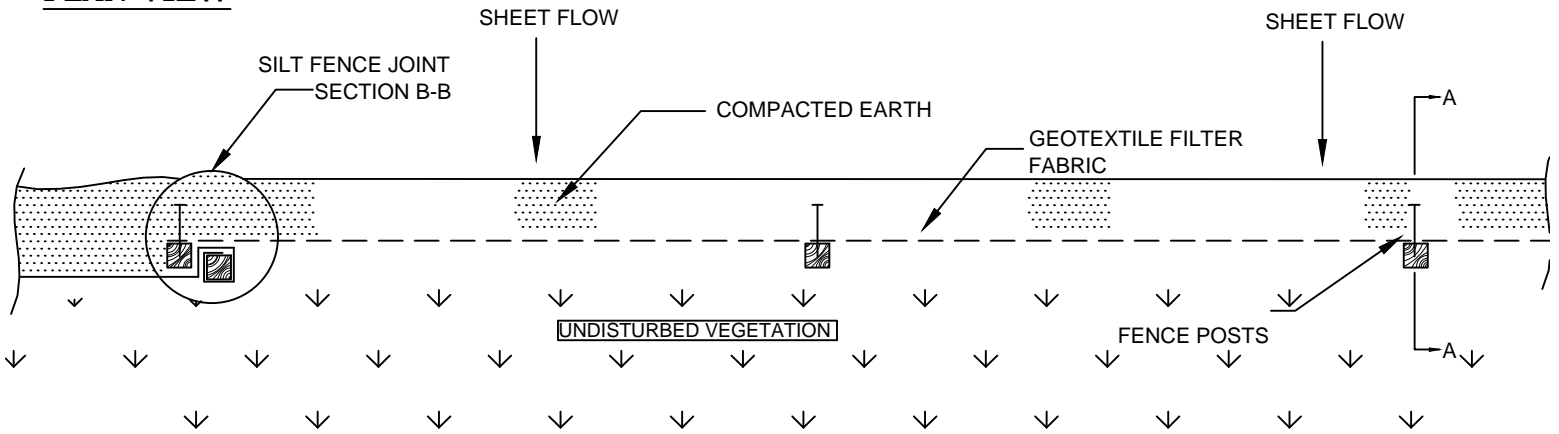
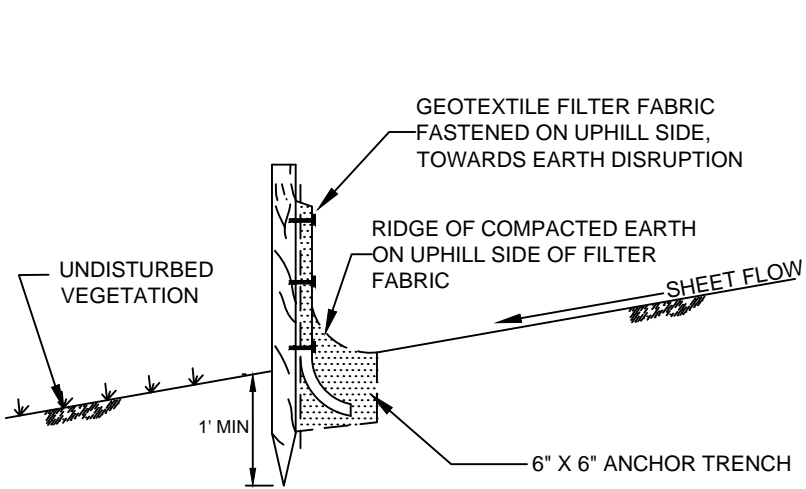
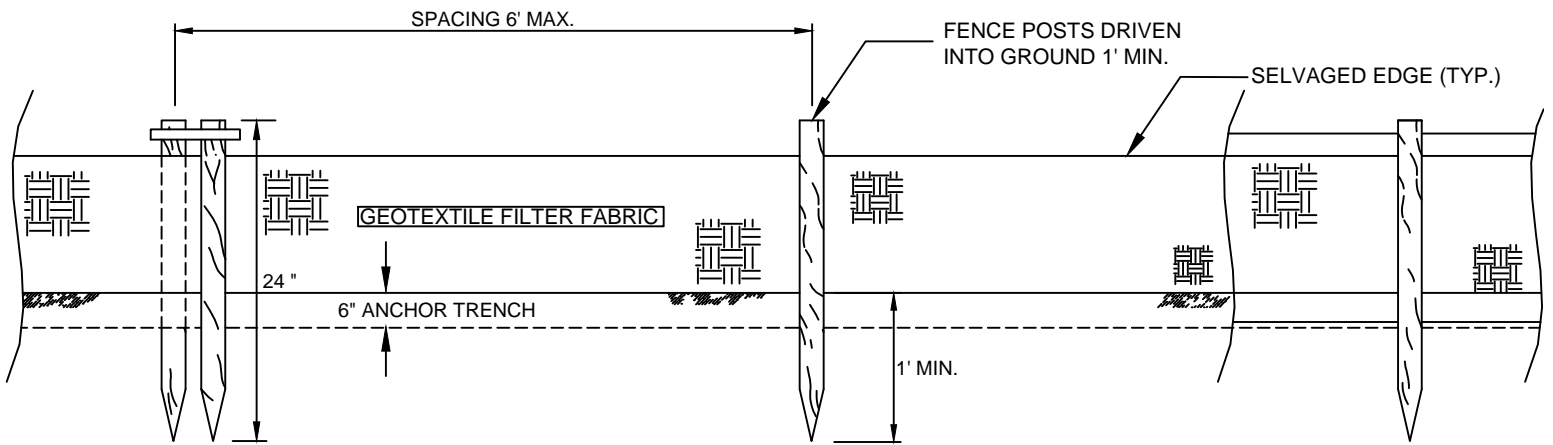


# SILT FENCE WITHOUT SUPPORT FENCE (SESC-6)

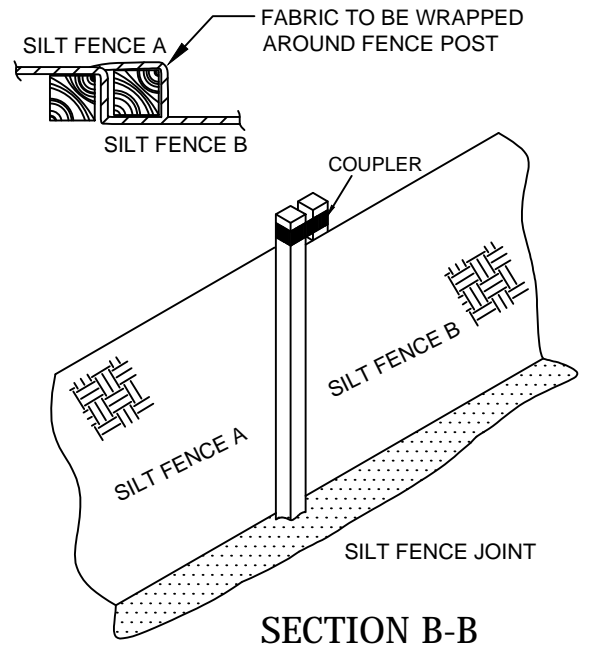
## PLAN VIEW



## FRONT VIEW



## SECTION A-A



## SECTION B-B