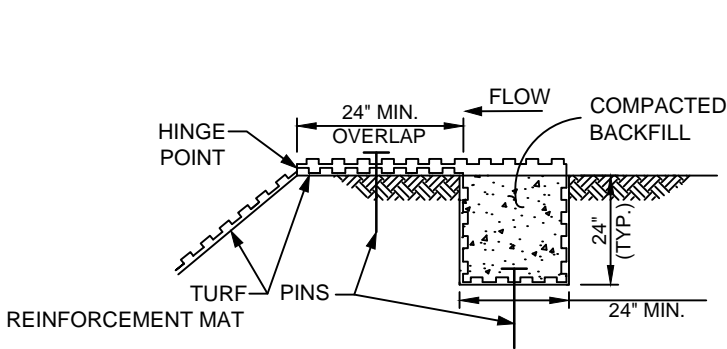
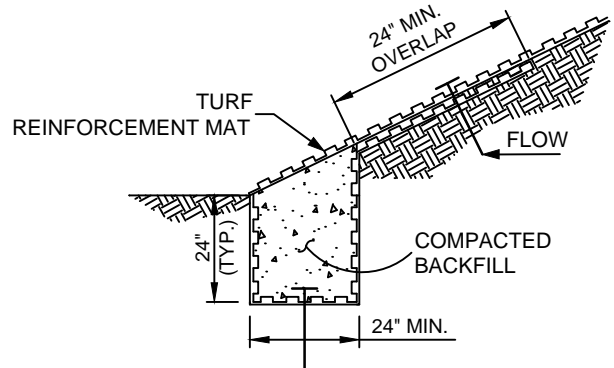


TURF REINFORCEMENT MAT ON A CHANNEL BANK

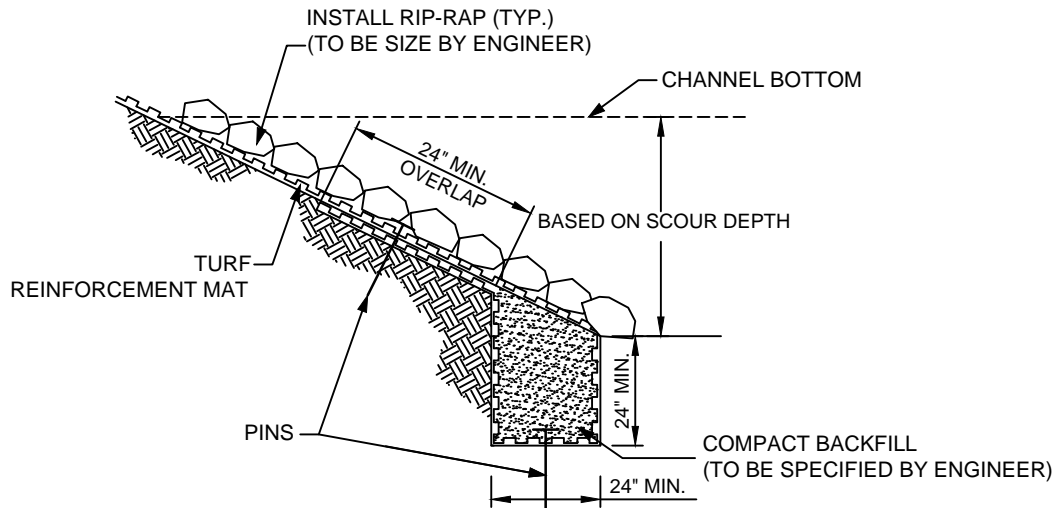
(SESC-49)



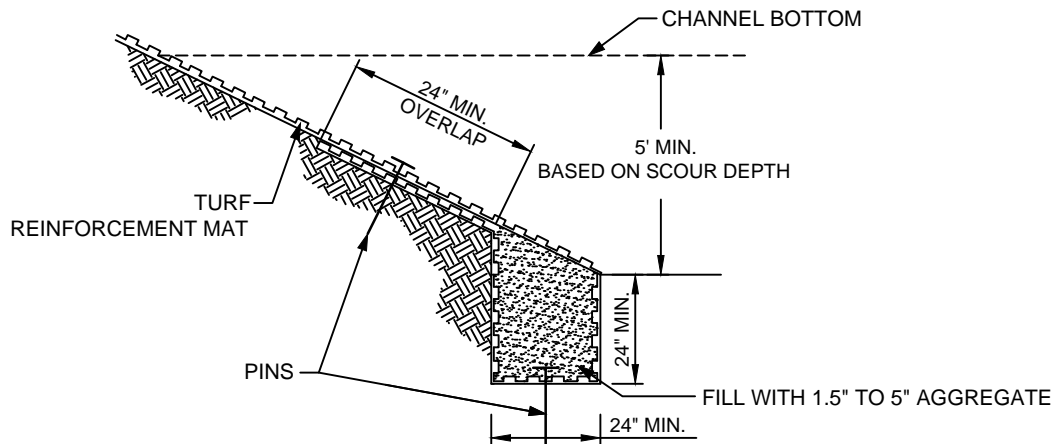
TERMINAL TRENCH (UPSTREAM) DETAIL



INITIAL TRENCH AT TOE OF BANK DETAIL



INITIAL TRENCH WITH RIP-RAP TOE PROTECTION DETAIL



INITIAL TRENCH WITH RIP-RAP TOE PROTECTION DETAIL

SEE DETAIL SESC-47 AND SESC-48