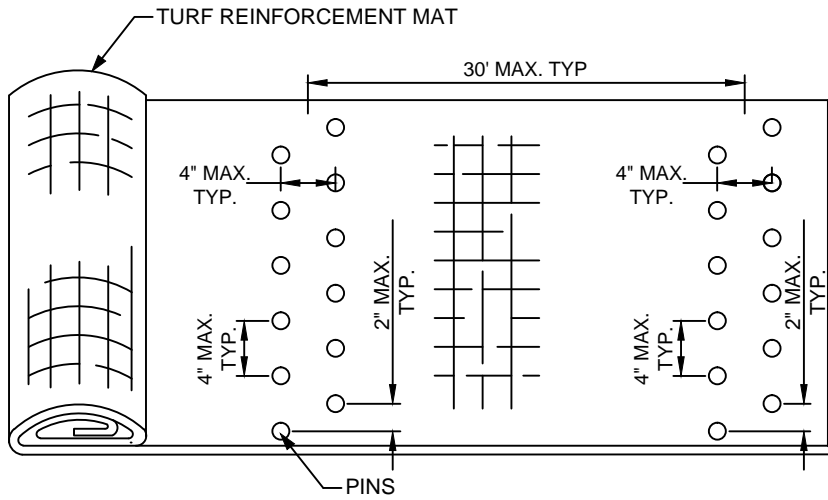
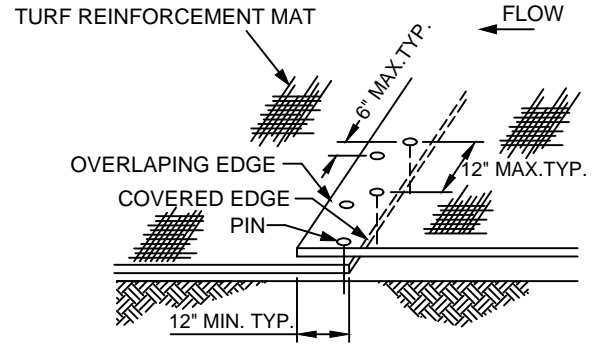


TURF REINFORCEMENT MAT (GENERAL)

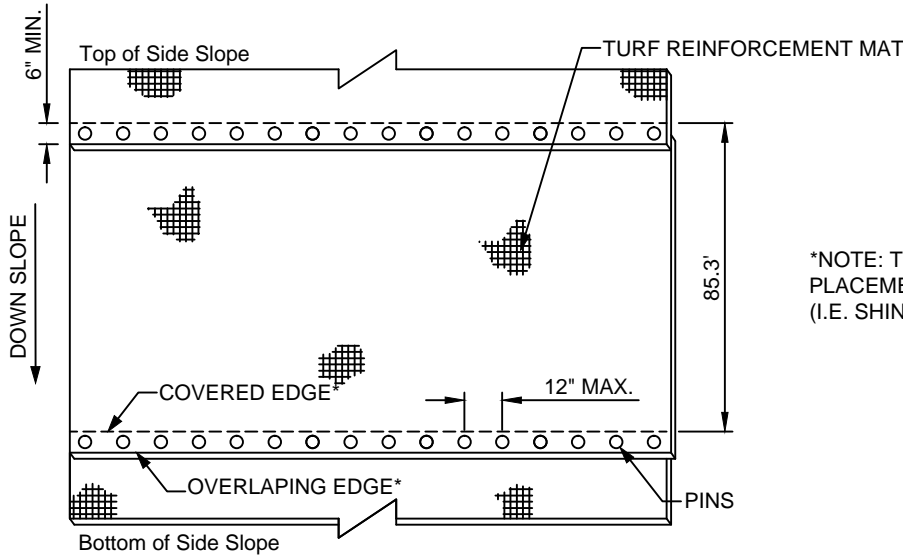
(SESC-47)



SIMULATED CHECK SLOT DETAIL

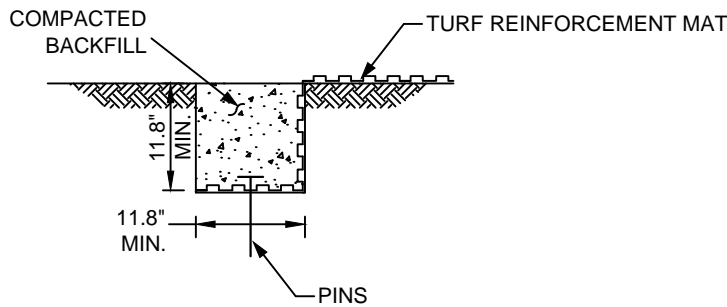


TURF REINFORCEMENT MAT OVERLAP AT ROLL END DETAIL

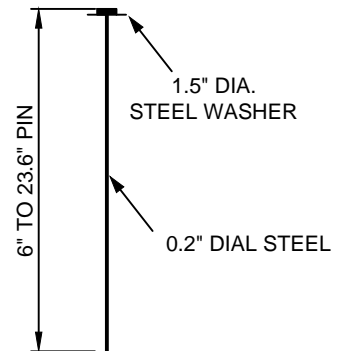


*NOTE: TURF REINFORCEMENT MAT EDGE SHINGLE/OVERLAP PLACEMENT DEPENDS ON DOWN SLOPE DIRECTION (I.E. SHINGLE IN THE DIRECTION OF THE DOWN SLOPE)

TURF REINFORCEMENT MAT OVERLAP AT ROLL EDGE DETAIL



LONGITUDINAL EDGE TRENCH DETAIL



PIN DETAIL