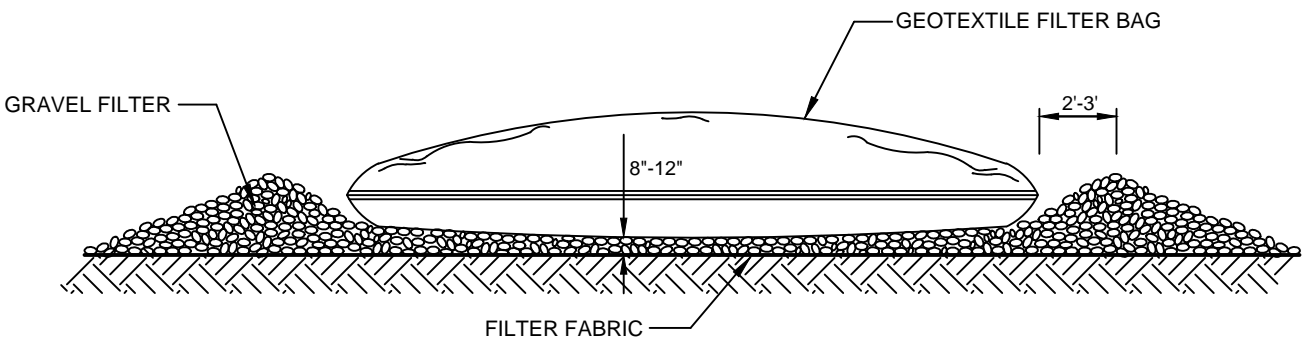
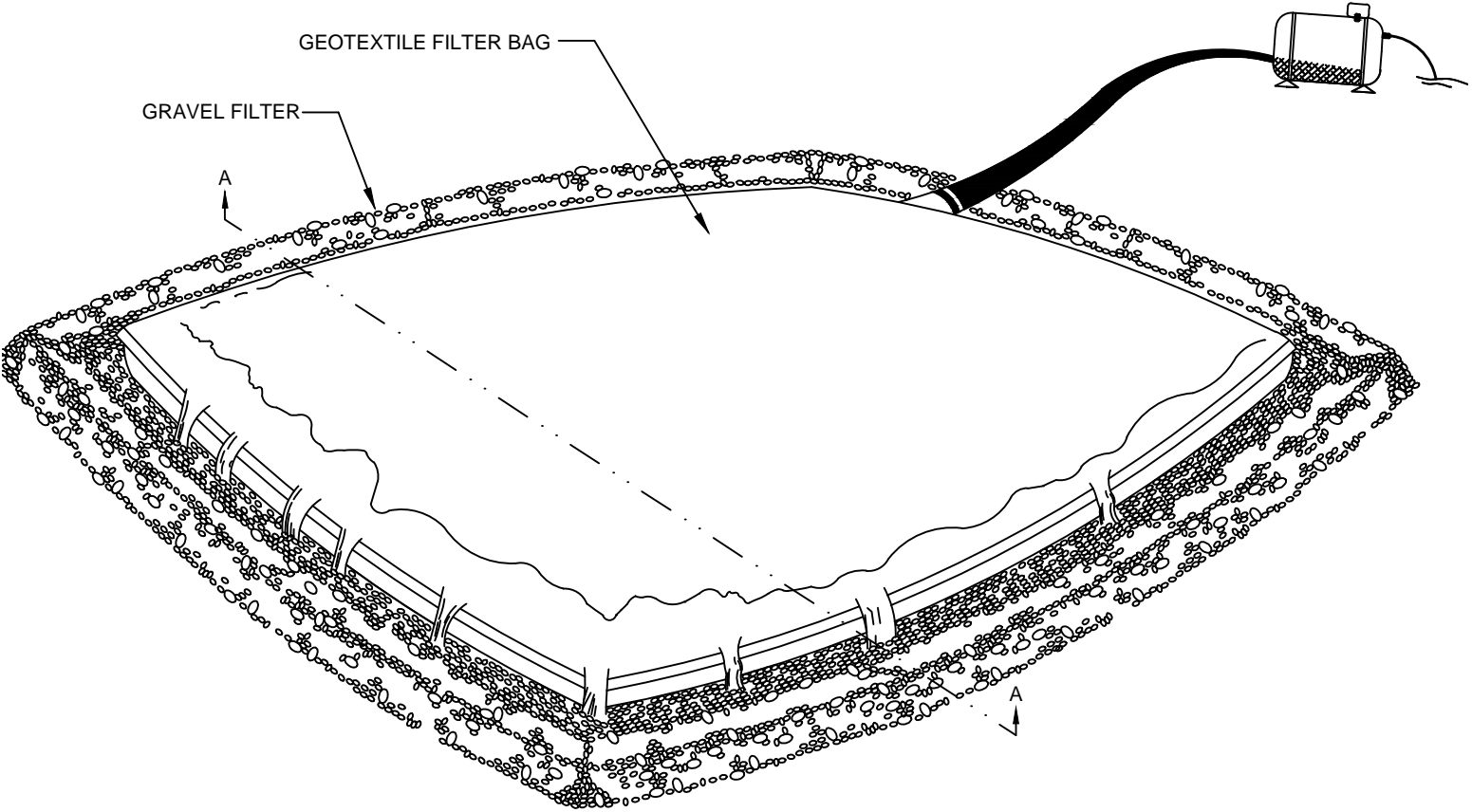


PUMP DISCHARGE BAG (SESC-27)



SECTION A-A

SEE DETAIL SESC-26 FOR GENERAL NOTES