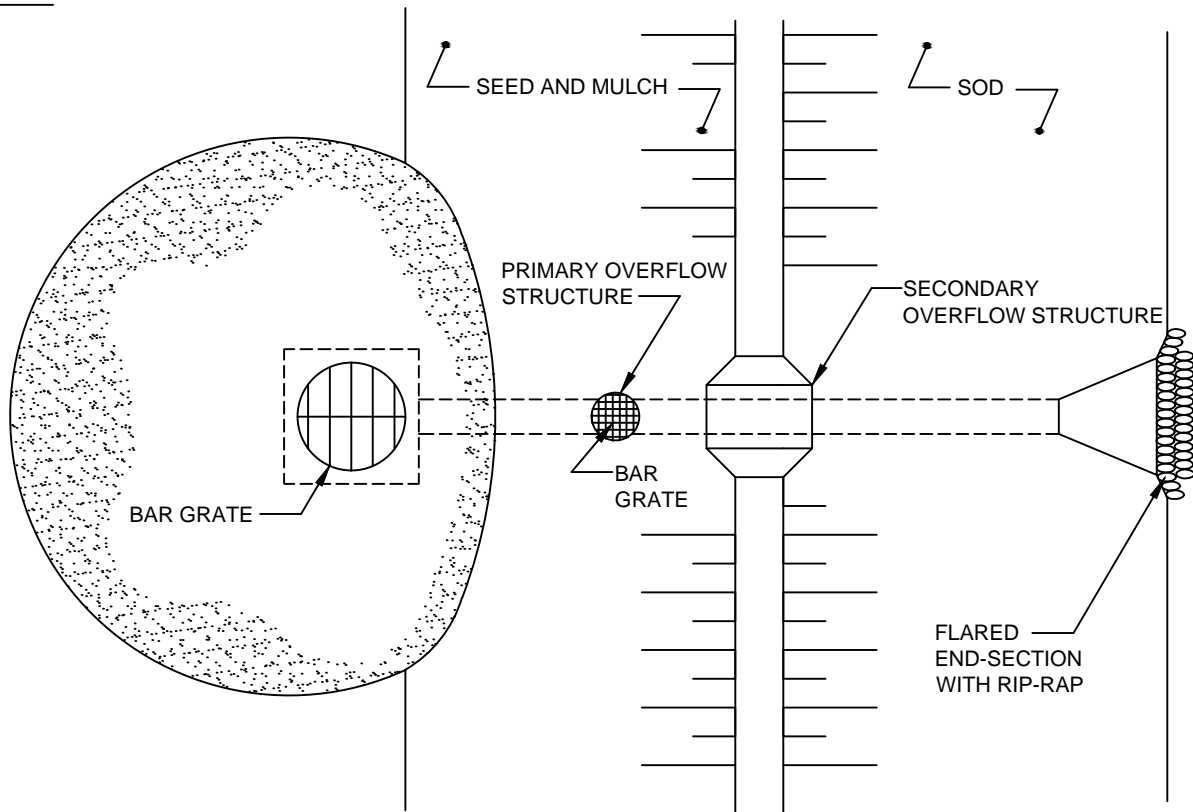


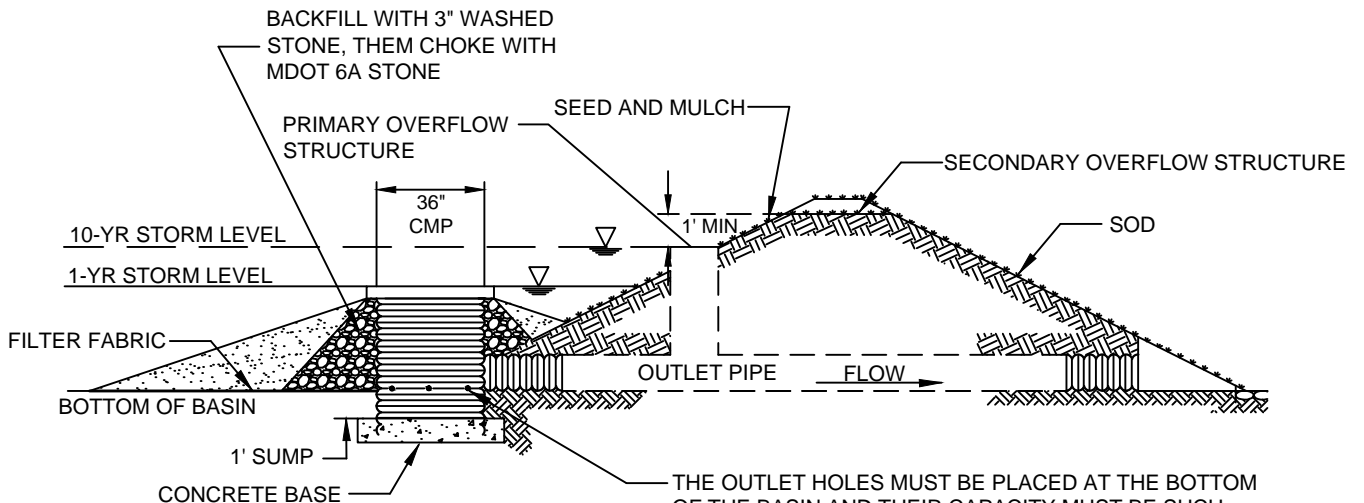
DETENTION BASIN OUTLET FILTER (CMP) (SESC-25)

PLAN VIEW



NOTE: EXTREME CARE MUST BE EXERCISED TO INSURE THAT THE OUTLET HOLES IN THE STANDPIPE, DO NOT BECOME CLOGGED WITH SEDIMENT.

PROFILE VIEW



THE OUTLET HOLES MUST BE PLACED AT THE BOTTOM OF THE BASIN AND THEIR CAPACITY MUST BE SUCH THAT A PERIOD OF AT LEAST 48 HOURS WILL BE REQUIRED TO OUTLET A 1-YEAR STORM VOLUME.