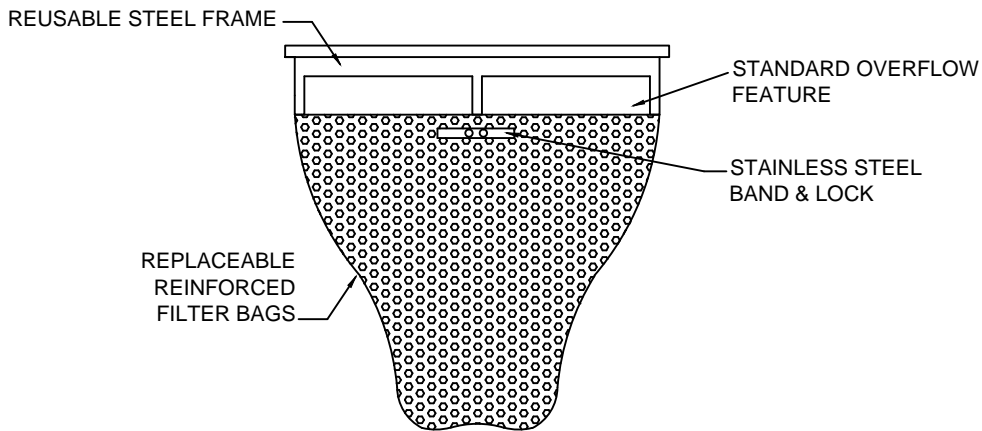


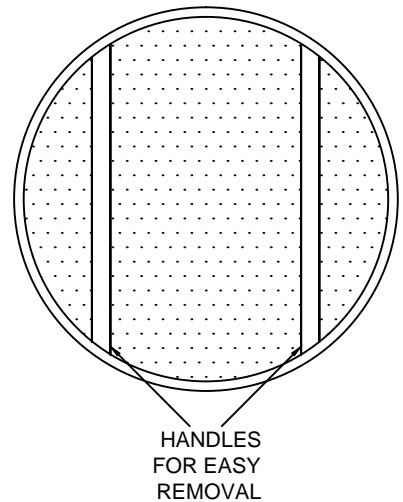
BAG & FRAME INLET PROTECTOR

(SESC-2)

FRONT VIEW



PLAN VIEW



INSTALLATION DETAILS

