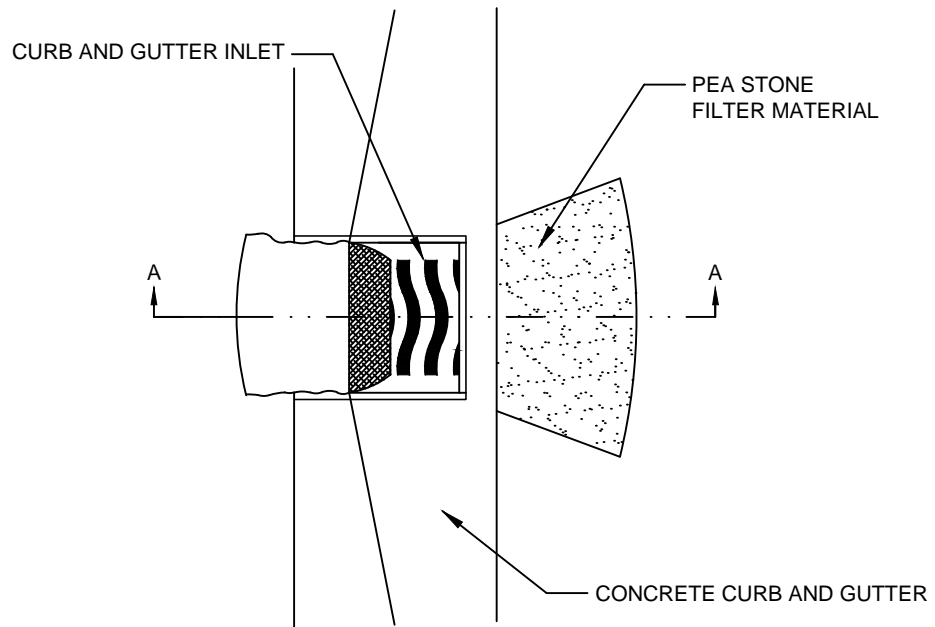
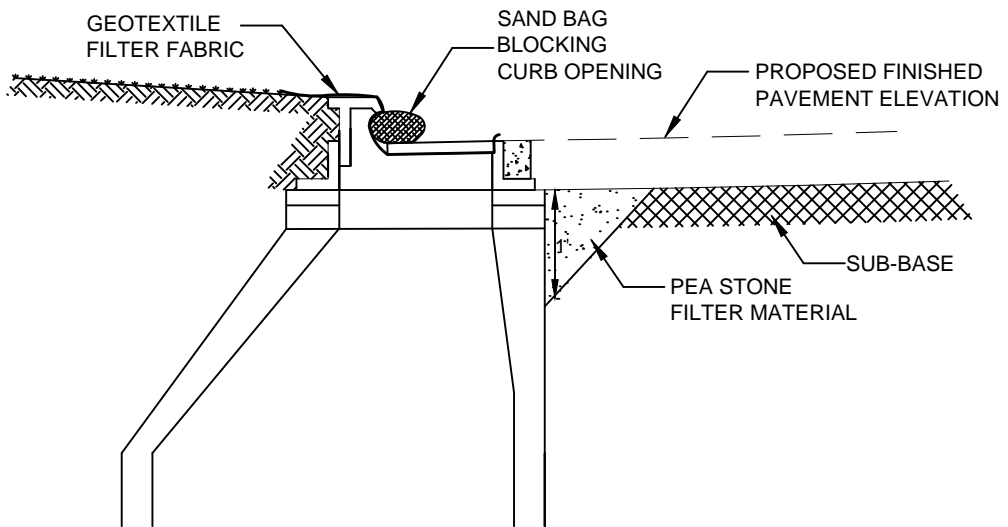


CURB AND GUTTER INLET FILTER (BEFORE PAVING)

(SESC-23)



PLAN VIEW



SECTION A-A