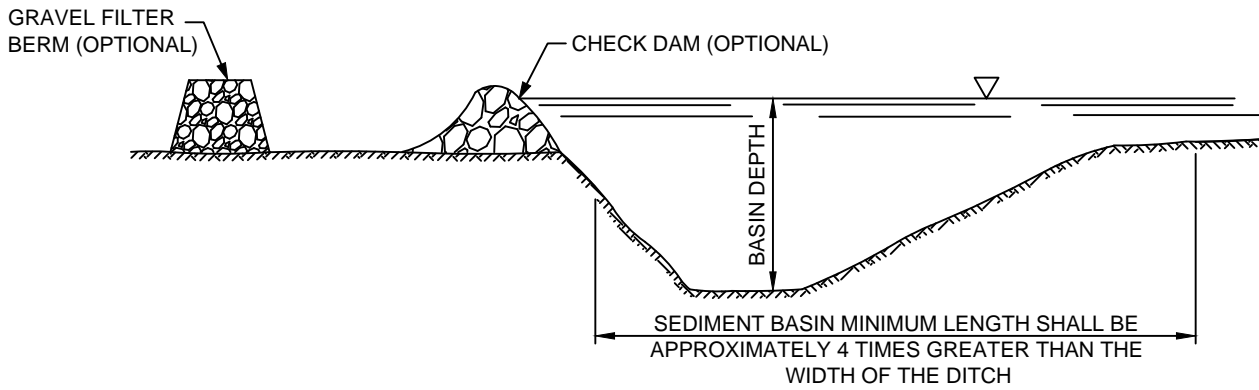
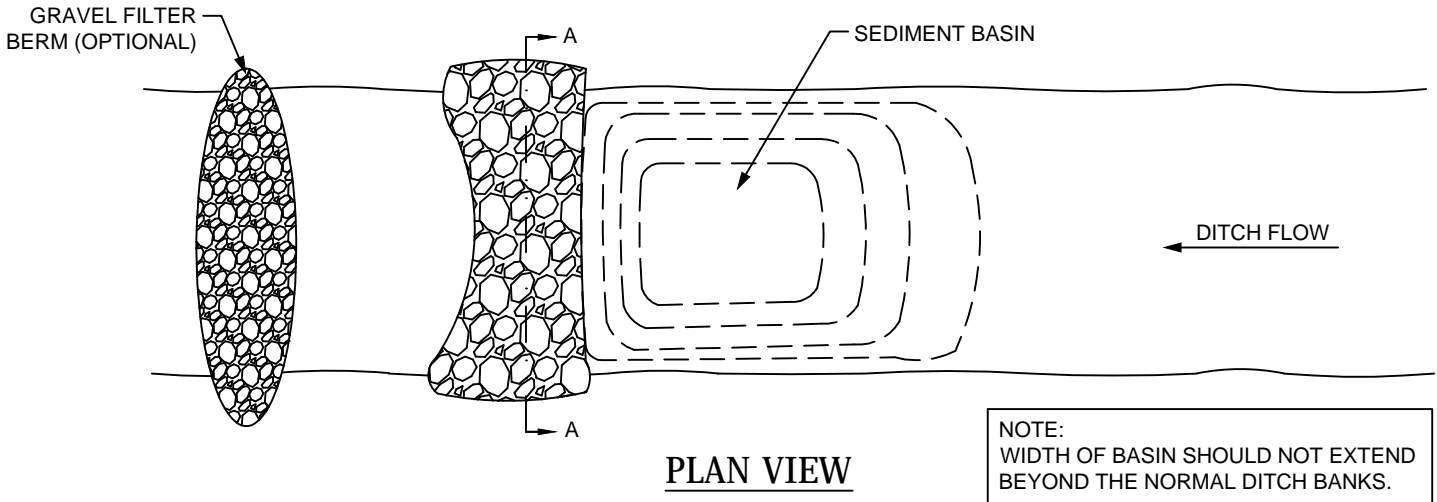
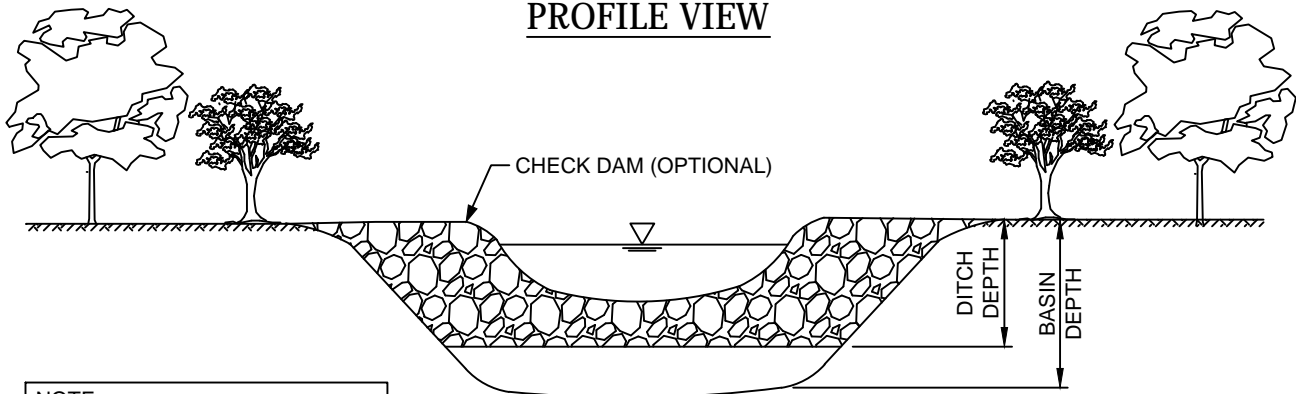


SEDIMENT BASIN (SESC-53)



PROFILE VIEW



NOTE:
DEPTH OF SEDIMENT BASIN
SHOULD DOUBLE THE CROSS
SECTIONAL AREA OF THE DITCH.

SECTION A-A